

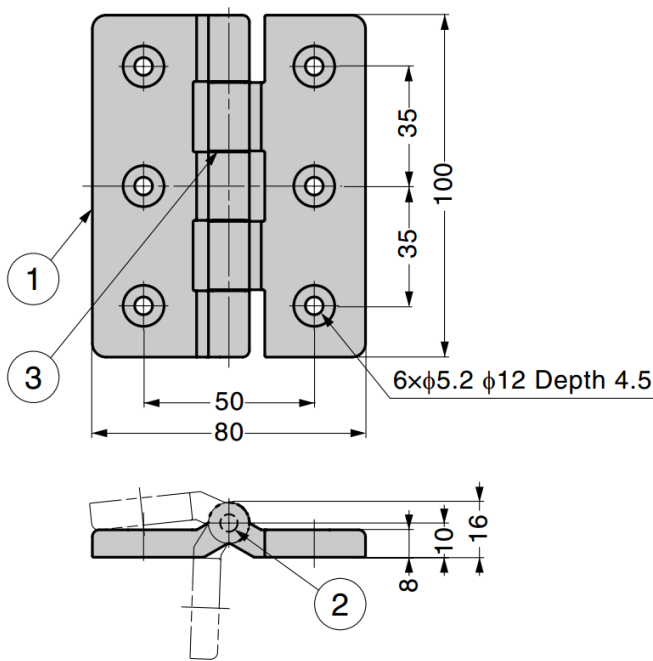
## GHG-P100 Cleanroom Hinge

### Features

- PVC material, with excellent chemical resistance
- No metal powder generated due to all parts (except shaft) being made of resin
- Clear finish
- Lead-free
- Suitable for semiconductor manufacturing equipment, clean room, aluminium frame, household equipment, etc.
- Passed 40,000 life cycle test

### Notes

- Use washers when fixing with screws
- When installing to aluminium frame, over-tightening may cause damage to mounting screws
- Recommended screws – M5 (tightening torque 2.0 N.m)



No.	Part Name	Material	Finish / Colour
①	Leaf	PVC	Clear
②	Shaft	Titanium Alloy	Plain
③	Washer	PEEK	-

Part No.	Load Capacity (per pair)	
GHG-P100	98 N	10 kg

Reference door weight 8kg with 2 pcs in case of door W600 x H800